



## INSTALLATION MANUAL

# Handmade Stainless Steel Undermount Kitchen Sink

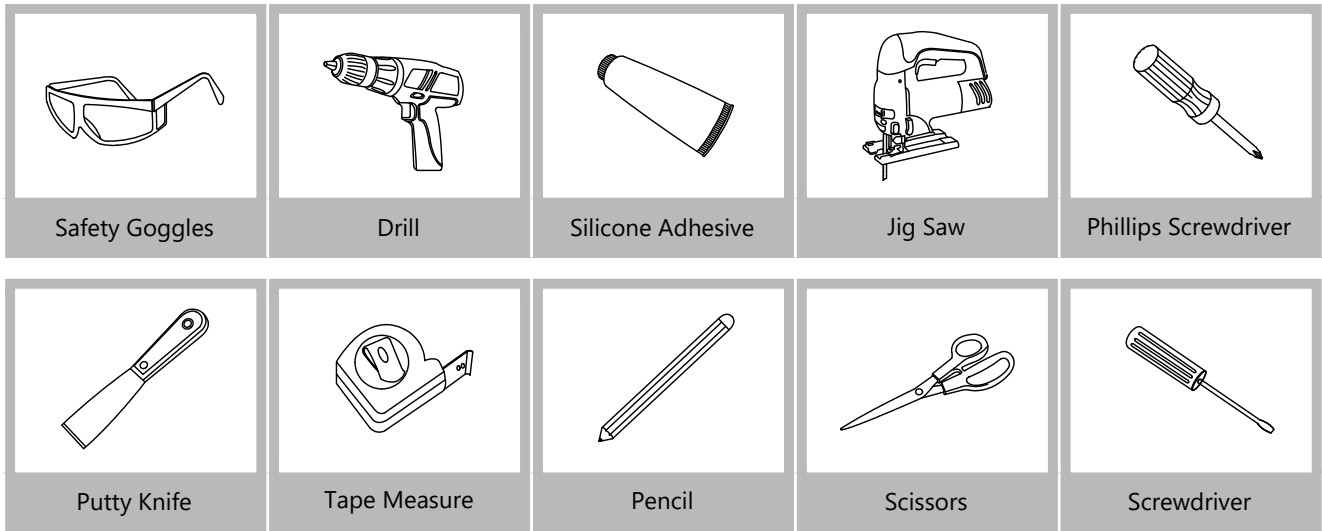
HUD3219 / HUS3219

### Prior to Installation:

- Make sure that you have all necessary parts by checking the parts list. If any part is missing or damaged, please contact Winnipeg Stonetops for a replacement
- Inspect the sink prior to installation to make sure that it has not been damaged or during shipping
- Use the cut-out template provided by Winnipeg Stonetops
- Observe all plumbing and building codes according to your state requirements
- Not recommended to be installed with laminate countertop

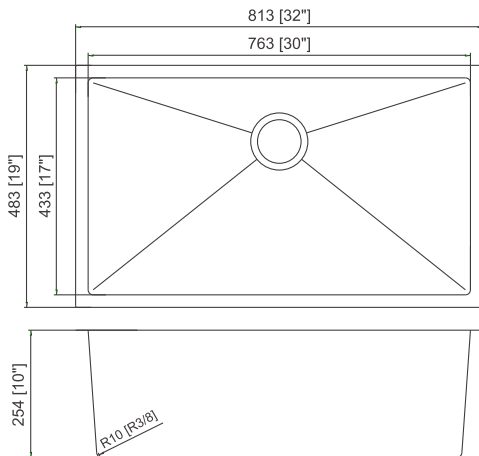
The step-by-step guidelines in the installation instructions are a general reference for installing a TOPAZ sink. Should there be any discrepancies, Winnipeg Stonetops cannot be held liable. It is recommended to install all Winnipeg Stonetops products by hiring a licensed professional.

## Tools you will need:

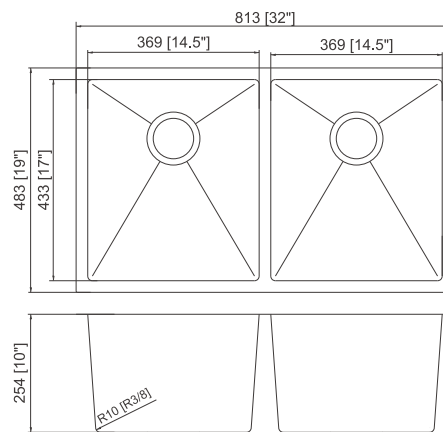


**NOTE:** Specialized tools may be necessary to install TOPAZ Stainless Steel Kitchen sinks with countertop materials other than wood, marble or granite.

## Dimensions:



**HUS3219**  
32" x 19" x 10"  
Min Cabinet Size: 36"



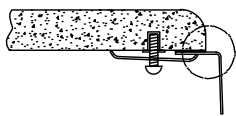
**HUD3219**  
32" x 19" x 10"  
Min Cabinet Size: 36"

## Undermount Installation

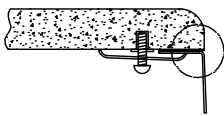
### Step 1. Determine reveal type

- Use scissors to cut along the line of the paper template for your desired reveal type (Negative, Positive, or Flush Reveal)

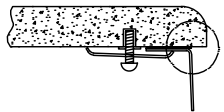
#### KRAUS Recommended Installation Type



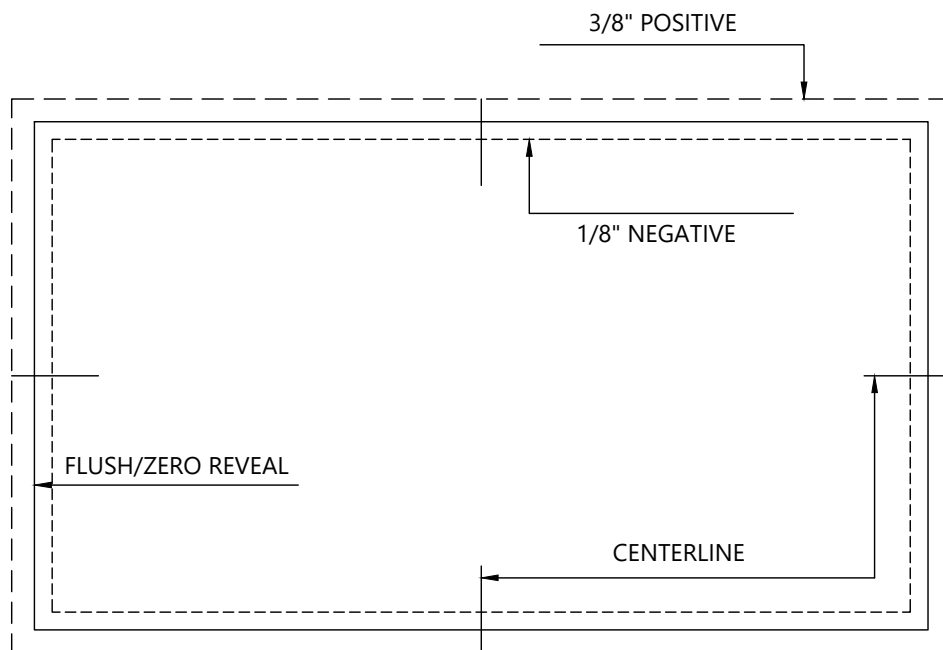
3/8" Positive Reveal



Flush/Zero Reveal

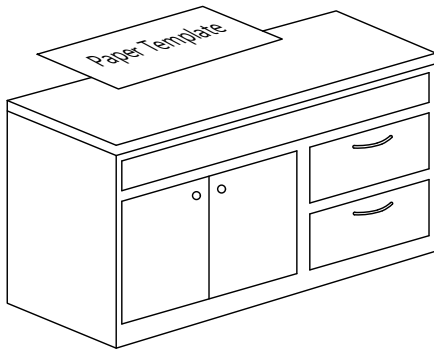


1/8" Negative Reveal



## Step 2. Position template

---

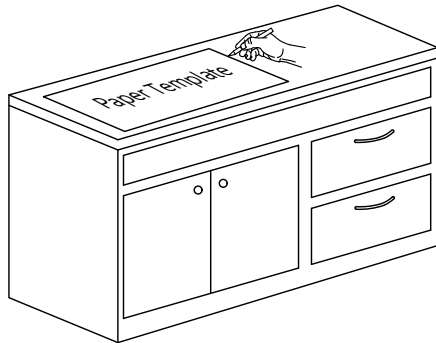


- Check the cut-out template against the actual sink to ensure a proper sized cut-out.
- Place the cut-out template in the desired location on the countertop.

**NOTE:** Make sure clearance is suitable for backsplash, faucet and plumbing for the sink.

## Step 3. Trace Template

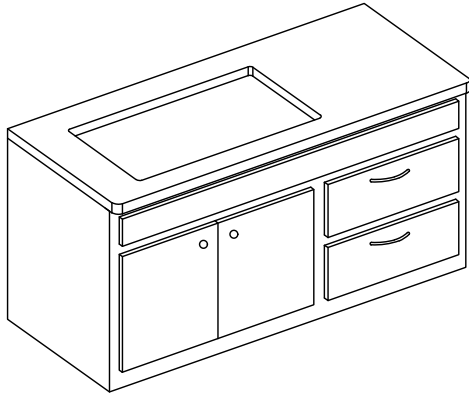
---



- Trace template on countertop with a pencil.

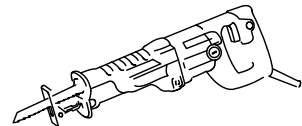
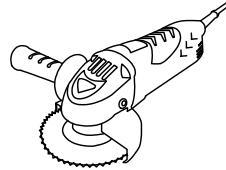
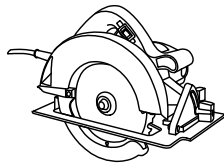
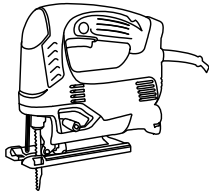
## Step 4. Cut countertop

---



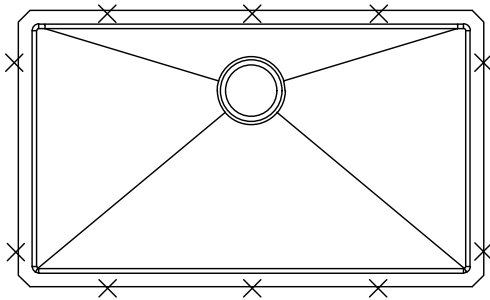
- Cut the opening in the countertop by carefully following the traced line.

**NOTE:** Please use the appropriate saw that best fits your countertop material.

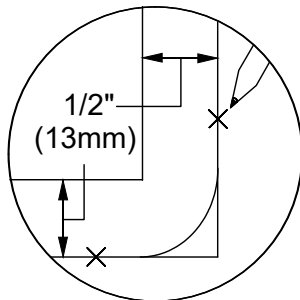


## Step 5. Set up mounting brackets

---



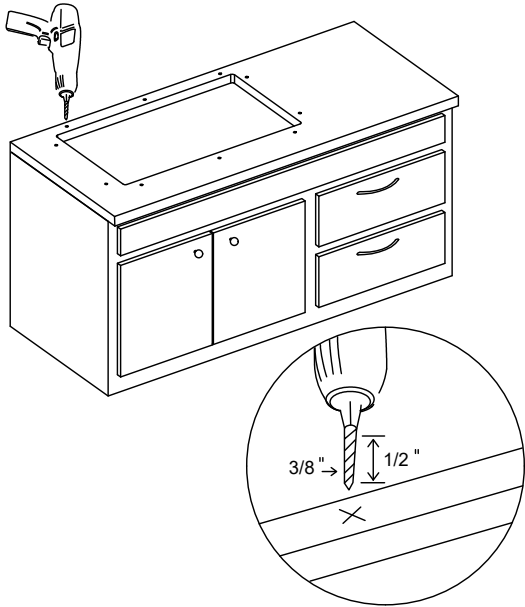
- Turn countertop over and align sink with countertop. Decide location for mounting brackets.
- Mounting holes should be 1/2" from edge of sink.



## Step 6. Drill hole in countertop

---

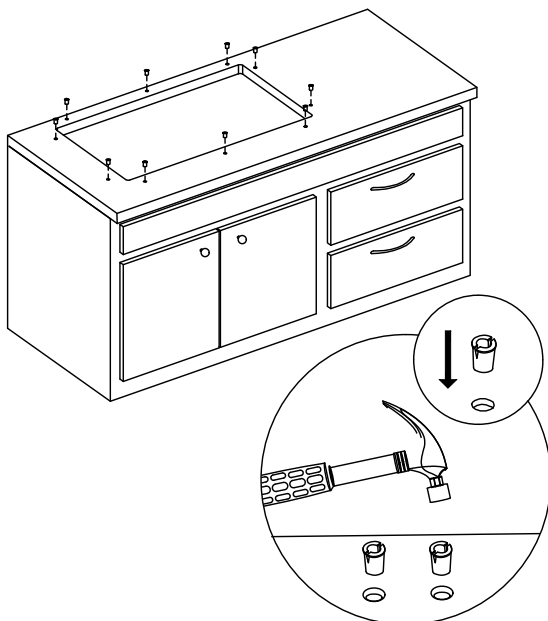
- Drill 3/8" diameter x 1/2" deep hole in the countertop.



## Step 7. Install anchors

---

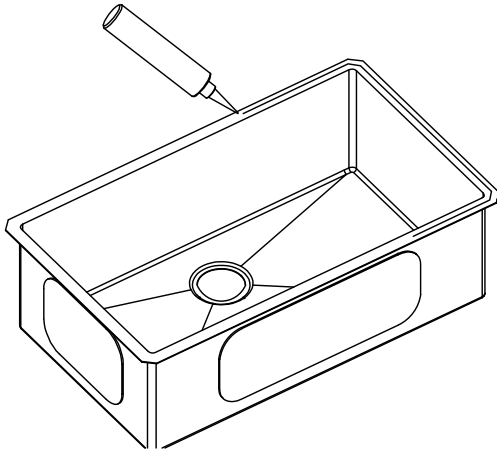
- Insert anchors into drilled holes and lightly tap with a hammer until flush.



## Step 8. Secure sink to countertop

---

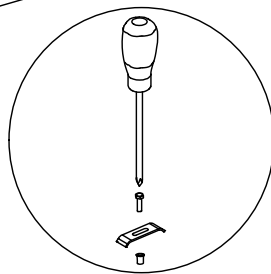
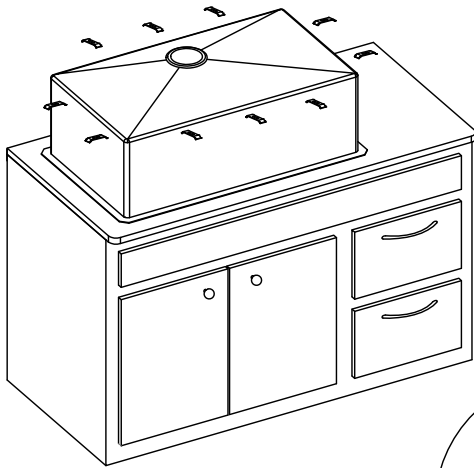
- Use a bead of silicone (or preferred adhesive) around the rim of the sink. Check the alignment of the sink to the cutout in the countertop. Place sink over cutout hole and press firmly.



## Step 9. Attach mounting hardware

---

- Attach mounting hardware to secure bowl. Remove excess sealant from inside lip.
- Allow sealant to set for 30 - 60 minutes.

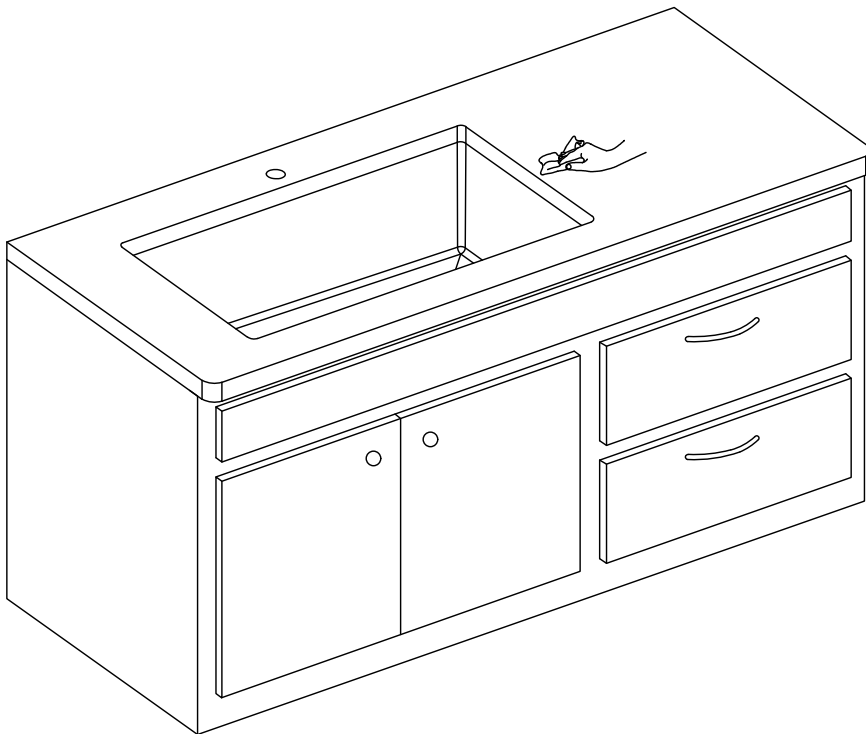


**NOTE:** Use acetone or rubbing alcohol to remove any excess sealant.

## Step 10. Install plumbing fixtures

---

- Connect drain to sink. Connect trap to drain. Connect water supply connections to faucet according to manufacturer's instructions.
- Run water into sink and check for leaks.



## Maintenance

---

Clean your sink on a regular basis with warm soapy water. Rinse the sink after using cleaning products. Wipe the sink surface with a soft cloth to remove any liquid residue. Do not cut food directly on the surface of the sink. Do not leave sharp objects on the surface of the sink for an extended period of time. Do not use abrasive cleaning products, sanding tools, steel wool or bleaching products.